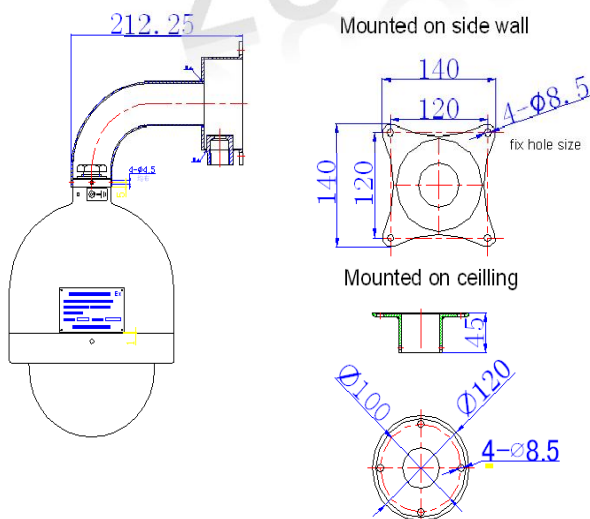


**ZAT630****EXPLOSION-PROOF CORROSION PROOF PTZ SPEED DOME CAMERA****MAIN FEATURES**

- Stainless steel 304 or 316L
- Enclosure Protection: IP68
- Exd II CT6 Gb/ Ex tD A21 IP68 T80°C
- Fit for gas zone 1, zone 2, dust zone 21, 22
- Optional power input: AC24V, AC100~240V
- Working Current: ≤500mA
- Variable speed: 0.1°- 400°/S Pan and Tilt
- Pan : 0-360°, Tilt: -90 to +0°
- Camera: optional Sony , Samsung, Hikvision, Dahua
- Application: gas station, chemical factory, petroleum processing factory, oil drilling platform, marine, pharmaceutical factory, gain store, winery store

**ZAT630+ wall bracket**

Model	ZAT630-S-IP	ZAT630-S
Atmospheric pressure	80KPa~110Kpa	
Ambient Temperature	-20°c~+60°c	
Relative Humidity	≤95% ( +25°c)	
Ex-proof mark	Exd II CT6 Gb/ Ex tD A21 IP68 T80°C	
Explosion proof Certified	CNEC 15.2504X	
Ingress Protection	IP68	
Housing Material	Stainless Steel 304 or 316L	
Optional Voltage Input	AC24V, AC100~240V	
Working Current	≤500mA	
Power consumption	<50w	
Pan and Tilt	horizontal rotation: 360° continuous vertical rotation: -90° to +0°	
Rotation speed	0.1-400°/s	
Preset patrol	128	
Control way	RS485, PELCO-D/P Protocol	
Signal output	RJ45	AV output
Cable output	RJ45+power cable	Integrated cable
Camera resolution	1.3MP or 2MP	700TVL
Camera optical zoom	20X or 30X	23X or 36X
Lens	4.7-94mm or 4.3-129mm	4-92mm, or 3.3-119mm
Min illuminator	Color 0.05lux, B&W 0.01lux	Color 0.04lux, B&W 0.004lux
Functions	Auto ICR, Day&night switch	
Overall dimension	204*204*445mm	
Net weight	12kg	
Mounted way	ZAZ630B wall bracket, ZAZ630C ceiling mounted bracket	

**FLEXIBLE TUBE****ZAJXD4 JUNCTION BOX****DRAWINGS**

specifications subject to change without notice.© ZUO AN all rights reserved.

skype: cookee.lee  
tel +86-1529503359